

BALDWIN BRONZE



Toscana™ Handleset



Stonebridge™ Handleset

THE TIMELESS APPEAL of bronze, now in a full line of home hardware from Baldwin. Like sculpture for the home, the new Baldwin Bronze collection means distinctive style and classic Baldwin quality.

- > Hand Cast Bronze
- > New Toscana™ and Stonebridge™ Handlesets
- > Matching Knob/Lever and Rose Styles
- > Pre-attached Knobs/Levers for Fast Installation
- > Coordinating General Hardware and Bath
- > All Available in Light or Dark Bronze Finishes



BALDWIN®



BRONZE LOCK

RONZE LOCK AND
GENERAL HARDWARE FINISHES



469
Light Bronze



471
Dark Bronze



LOCK OVERVIEW

What lock product is being offered with this launch?

Handlesets: Two new tubular handleset families

- Toscana
 - Oval Sectional and $\frac{3}{4}$ Escutcheon handlesets
 - Choice of Filigree (K501) knob or Filigree (L501) lever
 - Available in single and double cylinder entrance or dummy functionality
 - Deadbolt swing cover
- Stonebridge
 - Arched Sectional, $\frac{3}{4}$ Escutcheon and full Escutcheon handlesets
 - Choice of Bevel Top (K521) knob or Ball Tip (L521) lever
 - Available in single and double cylinder entrance or dummy functionality
 - Deadbolt swing cover

Knobs & Levers: 4 new knobs, 4 new levers

- Knobs and Roses
 - Filigree (K501) knob with Oval rose
 - Egg (K511) knob with choice of Oval or Round rose
 - Bevel Top (K521) knob with Arched rose
 - Classic (K531) knob with choice of Arched or Round rose
- Keyed Knobs and Levers
 - Egg knob (K511) with Oval rose
 - Wave lever (L511) with Round rose
 - Paddle Lever (L531) with Arched rose
 - Classic Knob (K531) with Round rose
- Levers and Roses
 - Filigree (L501) lever with Oval rose
 - Wave (L511) lever with choice of Oval or Round rose
 - Ball Tip (L521) lever with Arched rose
 - Paddle (L531) lever with Arched rose

Deadbolts: 3 new styles

- Oval (D501)
 - Single and Double Cylinder functions
 - Swing cover
- Arched (D521)
 - Single and Double Cylinder functions
 - Swing cover
- Round (D511)
 - Single and Double Cylinder functions

BALDWIN®

FAQ LIST

BRONZE LOCK

What finishes are available?

All the lock products are available in Light (469) and Dark (471) Bronze.

Are the finishes living finishes?

Yes. The finishes are living. With normal wear and handling raised areas will become highlighted while allowing recessed areas to darken naturally.

Are the Baldwin Bronze finishes the same as Archetypes finishes?

The finishes applied to Baldwin Bronze products are very similar to those used on our Archetypes bronze products. However, the different geometries and surface textures of the two product lines will cause the Baldwin Bronze products to appear slightly darker and more glossy than Archetypes in some instances.

Will the finishes change before I get the product?

As a final step in our assembly process, we apply a thin layer of wax to the products to help delay the darkening process.

Is installation any different than other tubular Baldwin products?

Yes. The biggest change from standard Baldwin installation is the fact that the knobs and levers come pre-attached on our active trim sets allowing for a faster installation. The knobs will come unattached on the full and half dummy sets. Detailed installation instructions are included with each set.

Below is a brief outline of the specific changes by function:

Passage/Privacy: The sets use a new, pre-assembled chassis consisting of two roses and a latch. The sets are installed by passing two screws through inside rose and affixing to the outside rose. The screws will be exposed on the interior side. The knobs and levers are pre-attached and do not require assembly to the spindle.

Full Dummy: The Bronze full dummy sets are designed for 2 1/8" pre-bored doors. The sets attach in the same method as the passage/privacy sets (less the latch). The levers will arrive pre-attached but the knobs are unattached. This allows for better access to the assembly screws.

Half Dummy: The Bronze half dummy sets are flush-mounted and require no counter-bore. The mounting screws affix the dummy set to the door. The levers will arrive pre-attached but the knobs are unattached. This allows for better access to the mounting screws.

Handlesets: The handlesets assemble in a similar method as the passage sets with the assembly screws passing through the interior trim and into the exterior trim.

Keyed Entry: The keyed entry sets assemble in a similar manner as do our Images keyed entry sets. The new Bronze Keyed Entry sets will be packed with our new 5210 universal latch. The new latch can accommodate a 2-3/8" or 2-3/4" backset without adjustment.

Deadbolts: The deadbolts assemble in a similar way as our brass deadbolts do today.

FAQ LIST

BRONZE LOCK

Are the Passage, Privacy and Full Dummy sets now handed?

Yes. The lever passage, privacy, and full dummy sets are handed due to the exposed screws. The most common installation of exposed screw product has the screws being installed on the INSIDE of the door. Please see page 6 on how to order and how to hand a door.

Please note that the knob sets are not handed.

What latches are included, Images or Estate?

All sets are packed with an Images latch. However, all active trim sets use newly designed spring-assisted mechanicals for a smooth function of the heavier knobs and levers.

On what door thickness ranges will the new Bronze products work?

The door thickness range varies by product function. All sets are packed with the proper screws to accommodate the door thicknesses shown below. At this time, we do not offer any kits to assemble the products to any door sizes greater than what is shown here.

Handlesets: 1-3/4" to 2-1/4" thick doors

Deadbolts: 1-3/4" to 2-1/2" thick doors

Keyed Entry: 1-3/8" to 2" thick doors

Passage, Privacy, Full dummy: 1-3/8" or 1-3/4" thick doors

Can I get the entrance sets keyed alike? What is the lead-time when sets are keyed alike or to a specific key combination?

Yes. The entrance sets may be ordered keyed alike or to a specific key combination in the same manner as all other Baldwin locks are done today. Keyed alike sets should ship within 3 weeks of order.

Do the handlesets have Emergency Egress functionality?

No. The handlesets do not have egress capability.

Can I order with a split finish or style?

No. The sets cannot be mixed or matched at this time.

When will the trims be available for Mortise or Multipoint functionality?

Mortise and Multipoint functions should be available in Q2 of 2009

BALDWIN

MECHANICAL FEATURES

BRONZE LOCK

Knobs and Levers:

- Latches:
 - All passage and privacy sets are packed with an Images 2-3/8" backset latch. Please call customer service if you required a 2-3/4" latch.
 - All keyed entry locks are provided with an Images keyed entry universal backset latch which can accommodate a 2-3/8" or 2-3/4" backset without adjustment.
- Graphic Instructions: All sets include graphical instructions to guide you through the installation process.
- Strikes and faceplates: All sets are packed with both squared and round corner strikes and faceplates. The keyed entry latch is lightly staked with a round corner face plate that can easily be removed and replaced with a squared corner plate. Only one strike and faceplate are required during installation.
- Door thickness range:
 - Passage, Privacy, Full Dummy: 1-3/8" to 1-3/4" thick doors
 - Keyed Entry: 1-3/8" to 2" thick doors
- Keyed Entry Emergency Exit Sets: Keyed entry sets are only available as Emergency Exit. An Emergency Exit set will retract the latchbolt when the knob or lever is turned but will remain locked from the exterior.
- Dummy Sets:
 - Full dummy sets require a 2-1/8" bore hole for installation.
 - Half dummy sets surface mount directly to the door and do not require a counter-bore prior to installation.
 - Dummy knobs will be packaged unattached. Knobs are attached using a set screw.
- Packaging: All products are packaged in contractor packaging.

Handlesets:

- Latches: All handlesets are supplied with an adjustable backset 2-3/8" or 2-3/4" latch and deadbolt
- Graphic Instructions: All sets include graphical instructions to guide you through the installation process.
- Strikes and faceplates: All sets are packed with both squared and round corner full lip strikes and faceplates. The deadbolt and handleset latch are lightly staked with a round corner face plate that can easily be removed and replaced with a squared corner plate. Only one strike and faceplate are required during installation per latch.
- Door thickness range: 1-3/4" to 2-1/4" thick doors
- Hole Spacing - Distance between center of latch and deadbolt (CTC):
 - Sectional handlesets: CTC distance must be 5-1/2" or greater for the Oval and 5.0" or greater for the Arched.
 - Escutcheon handlesets: CTC distance must be exactly 5-1/2" for both styles.
- Packaging: All products are packaged in contractor packaging.
- Note: Baldwin Bronze handlesets do not have Egress functionality.
- Doors thicker than 1-3/4" require an extended full-lip strike - 5300.112. EFLS - \$15.00

Deadbolts:

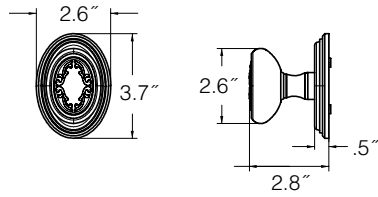
- Latches: All sets are supplied with an adjustable backset 2-3/8" or 2-3/4" deadbolt.
- Graphic Instructions: All sets include graphical instructions to guide you through the installation process.
- Strikes and faceplates: All sets are packed with both squared and round corner strikes and faceplates. The deadbolt is lightly staked with a round corner face plate that can easily be removed and replaced with a squared corner plate. Only one strike or faceplate is required during installation.
- Door thickness range: 1-3/4" to 2-1/2" thick doors
- Door prep: The Arched (D521) and Oval (D501) deadbolts will work on a 1-5/8" or 2-1/8" bore hole. The round (D511) deadbolt will only work on a 2-1/8" bore.

BALDWIN

All KEYED ENTRY: provided with adjustable backset latch; for 1-3/8" to 1-3/4" doors, except where noted.
 All PASSAGE & PRIVACY: provided with non-adjustable 2-3/8" backset latch for 1-3/8" or 1-3/4" doors, except where noted. 2-1/8" bore.



Filigree Knob w/ Oval Rose
 PASSAGE, PRIVACY & DUMMY



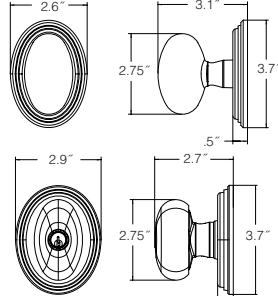
Item #	Function	Wt.	469, 471
K501.xxx.IDCBO	Half Dummy	3.5	\$110
K501.xxx.FDCBO	Full Dummy	5.0	220
K501.xxx.PSCBO	Passage – 2 3/8" backset	6.0	260
K501.xxx.PVCBO	Privacy – 2 3/8" backset	6.0	260



Egg Knob w/ Oval Rose
 PASSAGE, PRIVACY & DUMMY



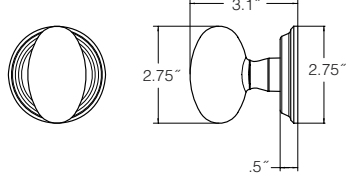
KEYED ENTRY



Item #	Function	Wt.	469, 471
K511.xxx.IDCBO	Half Dummy	3.5	\$110
K511.xxx.FDCBO	Full Dummy	5.0	220
K511.xxx.PSCBO	Passage – 2 3/8" backset	6.0	260
K511.xxx.PVCBO	Privacy – 2 3/8" backset	6.0	260
K511.xxx.FD	KEYED Full Dummy	5.0	250
K511.xxx.ENTR	KEYED Emergency Exit	6.0	275



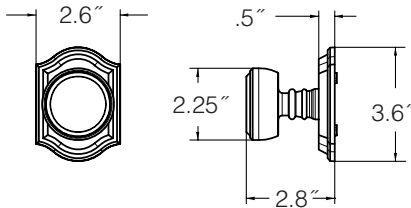
Egg Knob w/ Round Rose
 PASSAGE, PRIVACY & DUMMY



Item #	Function	Wt.	469, 471
K511.xxx.IDCBN	Half Dummy	3.5	\$110
K511.xxx.FDCBN	Full Dummy	5.0	220
K511.xxx.PSCBN	Passage – 2 3/8" backset	6.0	260
K511.xxx.PVCBN	Privacy – 2 3/8" backset	6.0	260



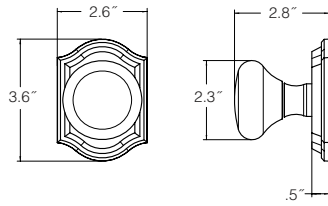
Bevel Top Knob w/ Arched Rose
 PASSAGE, PRIVACY & DUMMY



Item #	Function	Wt.	469, 471
K521.xxx.IDCBA	Half Dummy	3.5	\$110
K521.xxx.FDCBA	Full Dummy	5.0	220
K521.xxx.PSCBA	Passage – 2 3/8" backset	6.0	260
K521.xxx.PVCBA	Privacy – 2 3/8" backset	6.0	260



Classic Knob w/ Arched Rose
 PASSAGE, PRIVACY & DUMMY



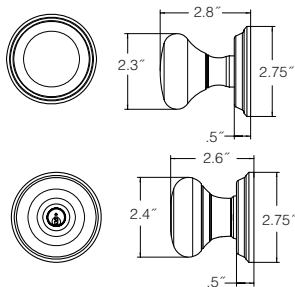
Item #	Function	Wt.	469, 471
K531.xxx.IDCBA	Half Dummy	3.5	\$110
K531.xxx.FDCBA	Full Dummy	5.0	220
K531.xxx.PSCBA	Passage – 2 3/8" backset	6.0	260
K531.xxx.PVCBA	Privacy – 2 3/8" backset	6.0	260



Classic Knob w/ Round Rose
 PASSAGE, PRIVACY & DUMMY



KEYED ENTRY

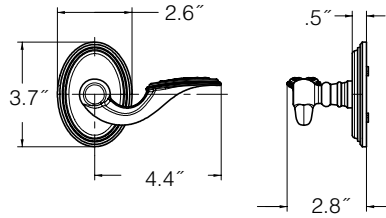


Item #	Function	Wt.	469, 471
K531.xxx.IDCBN	Half Dummy	3.5	\$110
K531.xxx.FDCBN	Full Dummy	5.0	220
K531.xxx.PSCBN	Passage – 2 3/8" backset	6.0	260
K531.xxx.PVCBN	Privacy – 2 3/8" backset	6.0	260
K531.xxx.FD	KEYED Full Dummy	5.0	250
K531.xxx.ENTR	KEYED Emergency Exit	6.0	275

All KEYED ENTRY: provided with adjustable backset latch; for 1-3/8" to 1-3/4" doors, except where noted.
 All PASSAGE & PRIVACY: provided with non-adjustable 2-3/8" backset latch for 1-3/8" or 1-3/4" doors, except where noted. 2-1/8" bore.



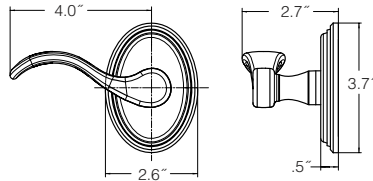
Filigree Lever w/ Oval Rose
 PASSAGE, PRIVACY & DUMMY



Item #	Function	Wt.	469, 471
L501.xxx.RDCBO	Half Dummy – RH	3.5	\$110
L501.xxx.LDCBO	Half Dummy – LH		
L501.xxx.RFDCBO	Full Dummy – RH	5.0	220
L501.xxx.LFDCBO	Full Dummy – LH		
L501.xxx.RPSCBO	Passage – RH, 2 3/8" backset	6.0	260
L501.xxx.LPSCBO	Passage – LH, 2 3/8" backset		
L501.xxx.RPVCBO	Privacy – RH, 2 3/8" backset	6.0	260
L501.xxx.LPVCBO	Privacy – LH, 2 3/8" backset		



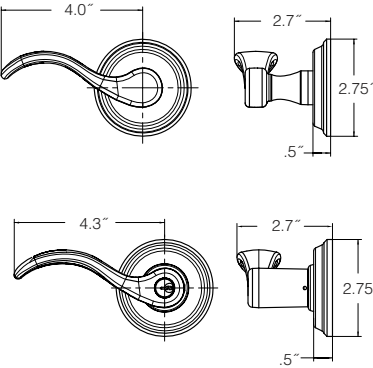
Wave Lever w/ Oval Rose
 PASSAGE, PRIVACY & DUMMY



Item #	Function	Wt.	469, 471
L511.xxx.RDCBO	Half Dummy – RH	3.5	\$110
L511.xxx.LDCBO	Half Dummy – LH		
L511.xxx.RFDCBO	Full Dummy – RH	5.0	220
L511.xxx.LFDCBO	Full Dummy – LH		
L511.xxx.RPSCBO	Passage – RH, 2 3/8" backset	6.0	260
L511.xxx.LPSCBO	Passage – LH, 2 3/8" backset		
L511.xxx.RPVCBO	Privacy – RH, 2 3/8" backset	6.0	260
L511.xxx.LPVCBO	Privacy – LH, 2 3/8" backset		



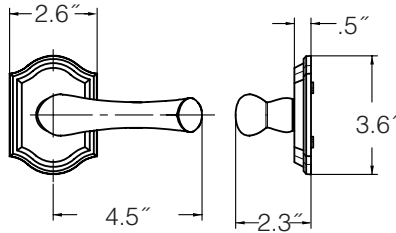
Wave Lever w/ Round Rose
 PASSAGE, PRIVACY & DUMMY



Item #	Function	Wt.	469, 471
L511.xxx.RDCBN	Half Dummy – RH	3.5	\$110
L511.xxx.LDCBN	Half Dummy – LH		
L511.xxx.RFDCBN	Full Dummy – RH	5.0	220
L511.xxx.LFDCBN	Full Dummy – LH		
L511.xxx.RPSCBN	Passage – RH, 2 3/8" backset	6.0	260
L511.xxx.LPSCBN	Passage – LH, 2 3/8" backset		
L511.xxx.RPVCBN	Privacy – RH, 2 3/8" backset	6.0	260
L511.xxx.LPVCBN	Privacy – LH, 2 3/8" backset		
L511.xxx.RFD	KEYED Full Dummy – RH	5.0	250
L511.xxx.LFD	KEYED Full Dummy – LH		
L511.xxx.RENT	KEYED Emergency Exit – RH	6.0	275
L511.xxx.LENT	KEYED Emergency Exit – LH		



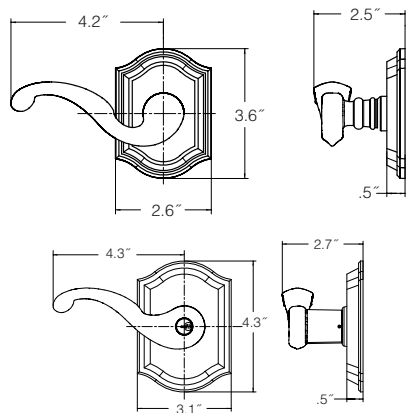
Ball Tip Lever w/ Arched Rose
 PASSAGE, PRIVACY & DUMMY



Item #	Function	Wt.	469, 471
L521.xxx.RDCBA	Half Dummy – RH	3.5	\$110
L521.xxx.LDCBA	Half Dummy – LH		
L521.xxx.RFDCBA	Full Dummy – RH	5.0	220
L521.xxx.LFDCBA	Full Dummy – LH		
L521.xxx.RPSCBA	Passage – RH, 2 3/8" backset	6.0	260
L521.xxx.LPSCBA	Passage – LH, 2 3/8" backset		
L521.xxx.RPVCBA	Privacy – RH, 2 3/8" backset	6.0	260
L521.xxx.LPVCBA	Privacy – LH, 2 3/8" backset		



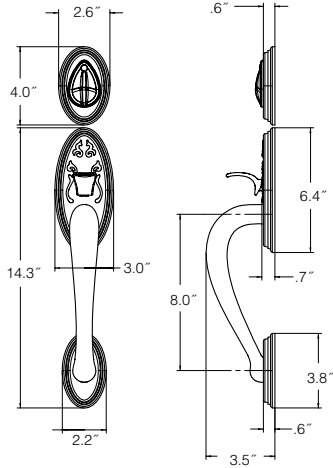
Paddle Lever w/ Arched Rose
 PASSAGE, PRIVACY & DUMMY



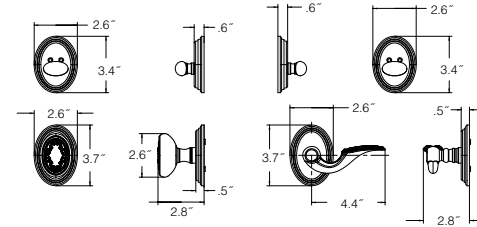
Item #	Function	Wt.	469, 471
L531.xxx.RDCBA	Half Dummy – RH	3.5	\$110
L531.xxx.LDCBA	Half Dummy – LH		
L531.xxx.RFDCBA	Full Dummy – RH	5.0	220
L531.xxx.LFDCBA	Full Dummy – LH		
L531.xxx.RPSCBA	Passage – RH, 2 3/8" backset	6.0	260
L531.xxx.LPSCBA	Passage – LH, 2 3/8" backset		
L531.xxx.RPVCBA	Privacy – RH, 2 3/8" backset	6.0	260
L531.xxx.LPVCBA	Privacy – LH, 2 3/8" backset		
L531.xxx.RFD	KEYED Full Dummy – RH	5.0	250
L531.xxx.LFD	KEYED Full Dummy – LH		
L531.xxx.RENT	KEYED Emergency Exit – RH	6.0	275
L531.xxx.LENT	KEYED Emergency Exit – LH		

Toscana Sectional Trim Set

w/ K501 Filigree Knob or L501 Filigree Lever

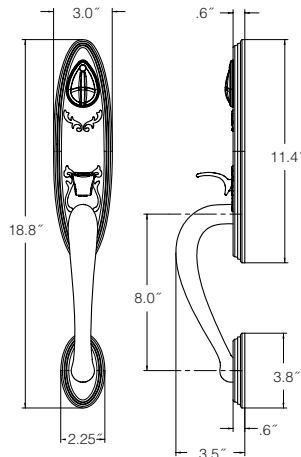


Item #	Function	Wt.	469, 471
T501.xxx.ENTR	Single cylinder set w/ Filigree Knob		
T521.xxx.RENT	Single cylinder set w/ Filigree Lever – RH Entry	19	\$589
T521.xxx.LENT	Single cylinder set w/ Filigree Lever – LH Entry		
T501.xxx.DBLC	Double cylinder set w/ Filigree Knob		
T521.xxx.RDBL	Double cylinder set w/ Filigree Lever – RH Entry	19	\$632
T521.xxx.LDBL	Double cylinder set w/ Filigree Lever – LH Entry		
T501.xxx.FD	Full Dummy set w/ Filigree Knob		
T521.xxx.RFD	Full Dummy set w/ Filigree Lever – RH Entry	15	\$505
T521.xxx.LFD	Full Dummy set w/ Filigree Lever – LH Entry		

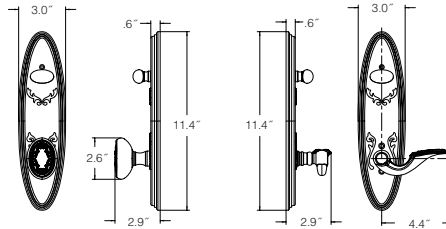


Toscana 3/4 Escutcheon Trim Set

w/ K501 Filigree Knob or L501 Filigree Lever

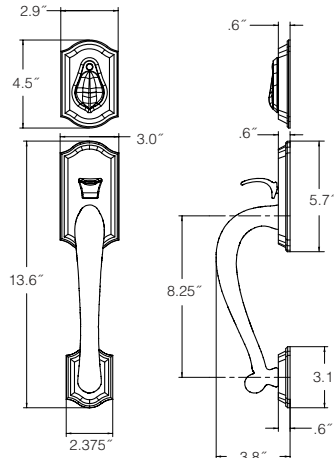


Item #	Function	Wt.	469, 471
T503.xxx.ENTR	Single cylinder set w/ Filigree Knob		
T523.xxx.RENT	Single cylinder set w/ Filigree Lever – RH Entry	19	\$655
T523.xxx.LENT	Single cylinder set w/ Filigree Lever – LH Entry		
T503.xxx.DBLC	Double cylinder set w/ Filigree Knob		
T523.xxx.RDBL	Double cylinder set w/ Filigree Lever – RH Entry	19	\$705
T523.xxx.LDBL	Double cylinder set w/ Filigree Lever – LH Entry		
T503.xxx.FD	Full Dummy set w/ Filigree Knob		
T523.xxx.RFD	Full Dummy set w/ Filigree Lever – RH Entry	15	\$556
T523.xxx.LFD	Full Dummy set w/ Filigree Lever – LH Entry		

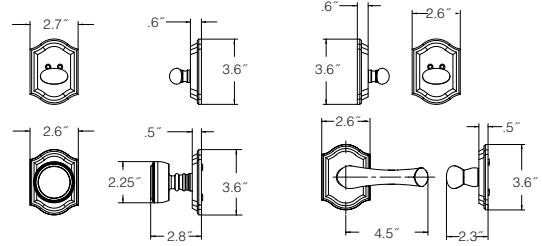


Stonebridge Sectional Arched Trim Set

w/ K521 Bevel Top Knob or L521 Ball Tip Lever

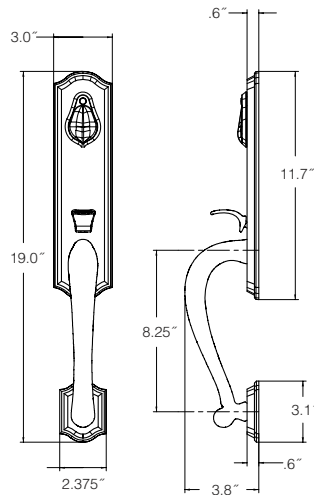


Item #	Function	Wt.	469, 471
T541.xxx.ENTR	Single cylinder set w/ Bevel Top Knob		
T561.xxx.RENT	Single cylinder set w/ Ball Tip Lever – RH Entry	19	\$589
T561.xxx.LENT	Single cylinder set w/ Ball Tip Lever – LH Entry		
T541.xxx.DBLC	Double cylinder set w/ Bevel Top Knob		
T561.xxx.RDBL	Double cylinder set w/ Ball Tip Lever – RH Entry	19	\$632
T561.xxx.LDBL	Double cylinder set w/ Ball Tip Lever – LH Entry		
T541.xxx.FD	Full Dummy set w/ Bevel Top Knob		
T561.xxx.RFD	Full Dummy set w/ Ball Tip Lever – RH Entry	15	\$505
T561.xxx.LFD	Full Dummy set w/ Ball Tip Lever – LH Entry		

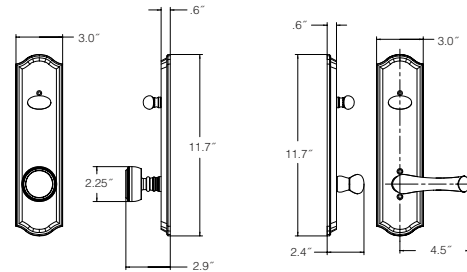


Stonebridge 3/4 Escutcheon Arched Trim Set

w/ K521 Bevel Top Knob or L521 Ball Tip Lever

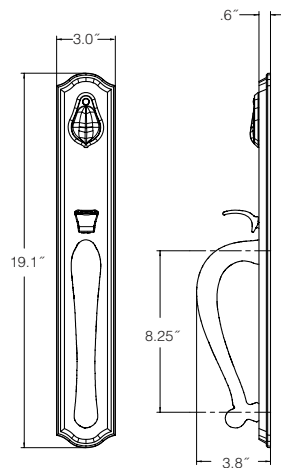


Item #	Function	Wt.	469, 471
T543.xxx.ENTR	Single cylinder set w/ Bevel Top Knob		
T563.xxx.RENT	Single cylinder set w/ Ball Tip Lever – RH Entry	19	\$655
T563.xxx.LENT	Single cylinder set w/ Ball Tip Lever – LH Entry		
T543.xxx.DBLC	Double cylinder set w/ Bevel Top Knob		
T563.xxx.RDBL	Double cylinder set w/ Ball Tip Lever – RH Entry	19	\$705
T563.xxx.LDBL	Double cylinder set w/ Ball Tip Lever – LH Entry		
T543.xxx.FD	Full Dummy set w/ Bevel Top Knob		
T563.xxx.RFD	Full Dummy set w/ Ball Tip Lever – RH Entry	15	\$556
T563.xxx.LFD	Full Dummy set w/ Ball Tip Lever – LH Entry		

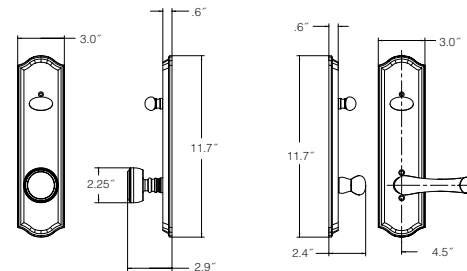


Stonebridge Full Escutcheon Arched Trim Set

w/ K521 Bevel Top Knob or L521 Ball Tip Lever

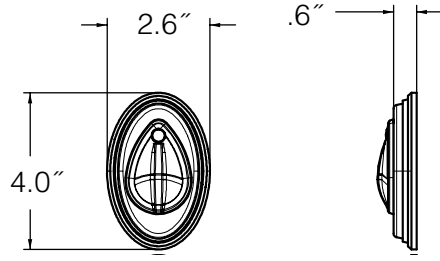


Item #	Function	Wt.	469, 471
T545.xxx.ENTR	Single cylinder set w/ Bevel Top Knob		
T565.xxx.RENT	Single cylinder set w/ Ball Tip Lever – RH Entry	19	\$710
T565.xxx.LENT	Single cylinder set w/ Ball Tip Lever – LH Entry		
T545.xxx.DBLC	Double cylinder set w/ Bevel Top Knob		
T565.xxx.RDBL	Double cylinder set w/ Ball Tip Lever – RH Entry	19	\$757
T565.xxx.LDBL	Double cylinder set w/ Ball Tip Lever – LH Entry		
T545.xxx.FD	Full Dummy set w/ Bevel Top Knob		
T565.xxx.RFD	Full Dummy set w/ Ball Tip Lever – RH Entry	15	\$605
T565.xxx.LFD	Full Dummy set w/ Ball Tip Lever – LH Entry		

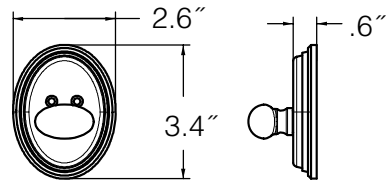


BALDWIN

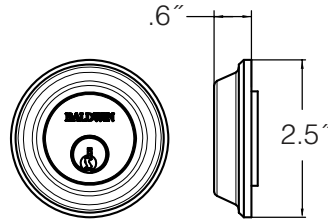
Oval Deadbolt – 2 1/8" or 1 5/8" Door Prep



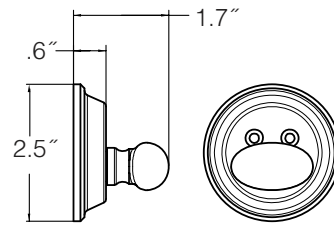
Item #	Function	Wt.	469, 471
D501.xxx.1	Oval Single Cylinder Deadbolt	3.0	158
D501.xxx.2	Oval Deadbolt w/cylinder cover	3.0	188



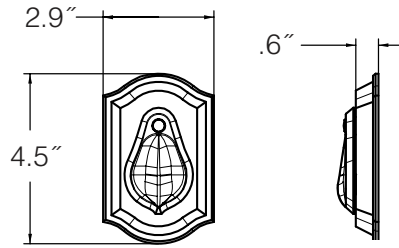
Round Deadbolt – 2 1/8" Door Prep



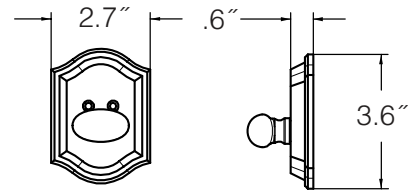
Item #	Function	Wt.	469, 471
D511.xxx.1	Round Single Cylinder Deadbolt	3.0	140
D511.xxx.2	Round Deadbolt - no cyl cover	3.0	160



Arched Deadbolt – 2 1/8" or 1 5/8" Door Prep



Item #	Function	Wt.	469, 471
D521.xxx.1	Arched Single Cylinder Deadbolt	3.0	158
D521.xxx.2	Arched Double Cylinder Deadbolt	3.0	188



3.5" Bit Extender



Item #	Description	QTY	LIST
85624.000.35BIT	NO.2 3-1/2" Bit Extender	box of 5	\$25

FAQ LIST

BRONZE GENERAL HARDWARE

What general hardware products are being offered in this launch?

- Door Knocker
- Small Oval Bell Button
- Small Arched Bell Button
- Large Oval Bell Button
- Large Arched Bell Button
- 5" House Numbers
- 6" Surface Bolt
- 12" Surface Bolt
- 18" Surface Bolt
- 3" Door Stop
- Flush Pull
- Edge Pull
- Utility Pulls
- Push Plate
- 3.5" Hinge
- 4" Hinge
- 4.5" Hinge
- Button Tip Finial
- Ball Tip Finial
- Coat Hook

How many finishes are available?

Two finishes are available. Light Bronze (469) and Dark Bronze (471)

What does "living" finish mean?

A living finish means the product will change over time and reacts to the natural oils that exist in your hands, therefore frequent use or touching of the product will result in lighter or darker hues.

What sizes are the hinges available in?

Hinges are square and available in 3.5", 4" and 4.5" sizes.

What is the hinge hole pattern?

The hinge hole pattern on the 3.5", 4" and 4.5" is a "C" hole pattern.

What configurations are hinges available in?

Hinges are available in pair and half-pair configurations. Half-pairs are denoted with an "I" at the end of the model number.

For example:

1735.xxx = Pair 1735.xxx.I = Half Pair

What is the standard hinge finial?

The button is the standard finial on the hinges; however a ball finial is available as a separate sku.

Why is the product so heavy?

The product is made of a bronze substrate which naturally has a larger, more robust look and feel, not to mention heavier weight.

What sizes are surface bolts available in?

The surface bolts are available in 6", 12" and 18" sizes.

How do you care for this product?

If necessary, utilize a soft cloth and mild soap water to clean this product. A high quality clear floor wax may also be applied to any patina to reinvigorate and protect the finish. Aggressive cleaners and detergents should not be utilized to clean our patina finishes.

BRONZE GENERAL HARDWARE

Item #	Function	469, 471
0107.xxx	Door Knocker w/5" Bail	\$125
0316.xxx	6" Surface Bolt	79
0318.xxx	12" Surface Bolt	109
0319.xxx	18" Surface Bolt	139
0459.xxx	Flush Pull	27
0460.xxx	Edge Pull	62
0784.xxx	Coat Hook	38
1094.xxx	Button Tip Finial (included w/ Hinge)	28
1095.xxx	Ball Tip Finial (pack of 4)	28
1735.xxx	3.5" Hinge (Pair)	120
1735.xxx.l	3.5" Hinge (Half Pair)	60
1740.xxx	4" Hinge (Pair)	136
1740.xxx.l	4" Hinge (Half Pair)	68
1745.xxx	4.5" Hinge (Pair)	156
1745.xxx.l	4.5" Hinge (Half Pair)	78
2288.xxx	Push Plate	125
2568.xxx	Utility Pull	158
2569.xxx	Utility Pull	158
4048.xxx	3" Door Stop	17
4800.xxx	Bell Button Small Oval	46
4801.xxx	Bell Button Small Arch	46
4802.xxx	Bell Button Large Oval	59
4803.xxx	Bell Button Large Arch	59
0610.xxx	House Number - 0	
0611.xxx	House Number - 1	
0612.xxx	House Number - 2	
0613.xxx	House Number - 3	
0614.xxx	House Number - 4	
0615.xxx	House Number - 5	\$34
0616.xxx	House Number - 6	
0617.xxx	House Number - 7	
0618.xxx	House Number - 8	
0619.xxx	House Number - 9	



0107.xxx - Door Knocker w/5" Bail



061x.xxx
5" House Numbers



2288.xxx
Push plate



4800.xxx
Bell Button Small Oval
1.5" x 3"

4802.xxx
Bell Button Large Oval
3.375" x 6"



4801.xxx
Bell Button Small Arch
1.5" x 3"



4803.xxx
Bell Button Large Arch
3" x 5.25"



1735.xxx
3.5" Hinge Pair

1740.xxx
4" Hinge Pair

1745.xxx
4.5" Hinge Pair

1095.xxx - Ball Tip Finial
Must order separately



0459.xxx
Flush Pull



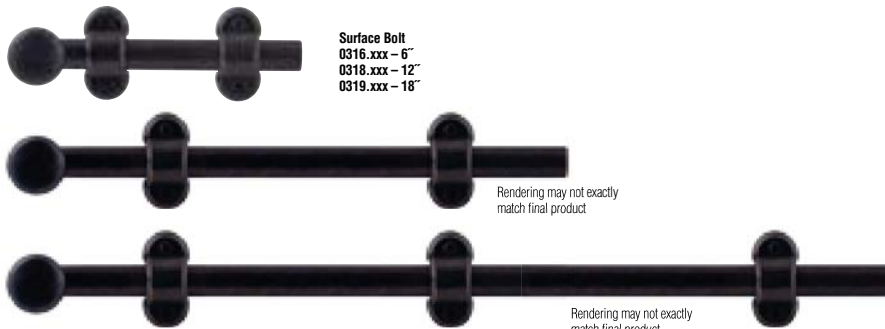
0460.xxx
Edge Pull



0784.xxx
Coat Hook



4048.xxx
3" Door Stop



Surface Bolt
0316.xxx - 6"
0318.xxx - 12"
0319.xxx - 18"

Rendering may not exactly
match final product

Rendering may not exactly
match final product



2568.xxx
Utility Pull



2569.xxx
Utility Pull

BALDWIN

FAQ LIST

BRONZE BATH ACCESSORIES

What is being offered with this launch?

Two new bath accessory families: Toscana™ and Stonebridge™

- o Distinct Styling with Oval (Toscana) or Arched (Stonebridge) Back Plate
- o Available in 9 functions:
 - 18", 24", 30" Towel Bars
 - 24" Double Towel Bar
 - 24" Glass Shelf
 - Toilet Tissue Holders: Single Post and Double Post
 - Towel Ring
 - Robe Hook
- o Available in 3 finishes:
 - (492) White Bronze, (479) Light Bronze, (481) Dark Bronze

Do the bath finishes align with Lock and General Hardware finishes?

Yes, the finish colors align and coordinate. Bath products are finished with a final lacquer topcoat to provide additional protection from humid bath locations, while Lock and General Hardware products are finished with a final wax topcoat.

Why are Bath finish numbers different than Lock and General Hardware?

While the finish colors and finish names are the same, the finish numbers merely differentiate the final wax vs. lacquer finishing step.

Bath Finishes	Lock Finishes	General Hardware Finishes
White Bronze (492)	N/A	N/A
Light Bronze (479)	Light Bronze (469)	Light Bronze (469)
Dark Bronze (481)	Dark Bronze (471)	Dark Bronze (471)

Lock and General Hardware have two finishes: Light Bronze and Dark Bronze.

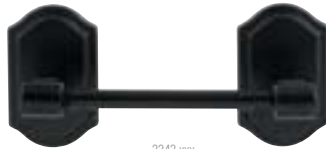
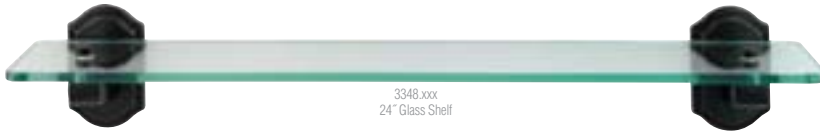
Why does bath have a third finish, White Bronze (492)?

The addition of white bronze in bath accessories allows for additional consumer coordination to existing faucets in popular nickel finishes. In addition, the White Bronze finish provides the opportunity to update bathroom accessories with the rugged yet eloquent Tuscan style this program offers.

Is installation any different from other bath products?

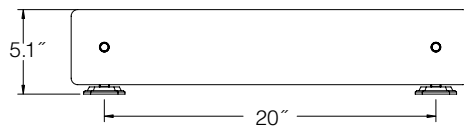
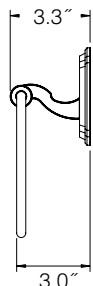
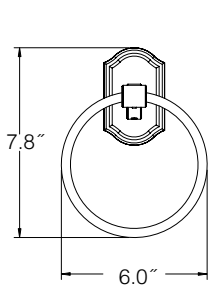
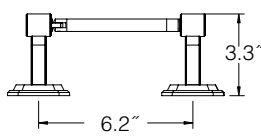
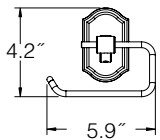
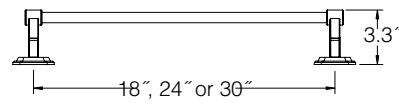
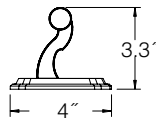
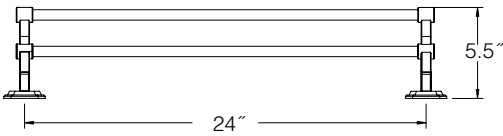
There is no difference from the general installation of Bronze bath compared to other bath collections. Detailed installation instructions are included with each set.

STONEBRIDGE™



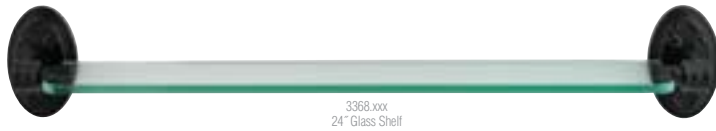
Item #	Function	Wt. Ea.	Std. Box	479, 481, 492
3361.xxx.18	18" Towel Bar	4.2	3	\$102
3361.xxx.24	24" Towel Bar	4.8	3	114
3361.xxx.30	30" Towel Bar	5.1	3	122
3362.xxx.24	24" Double Towel Bar	6.3	3	200
3363.xxx	Tissue Holder – Double Post	3.3	3	104
3363.xxx.SP	Tissue Holder – Single Post	2.7	3	92
3364.xxx	Towel Ring	3.3	3	90
3365.xxx	Robe Hook	1.7	3	54
3368.xxx	24" Glass Shelf	7.5	3	176

Mounting hardware and instructions included.



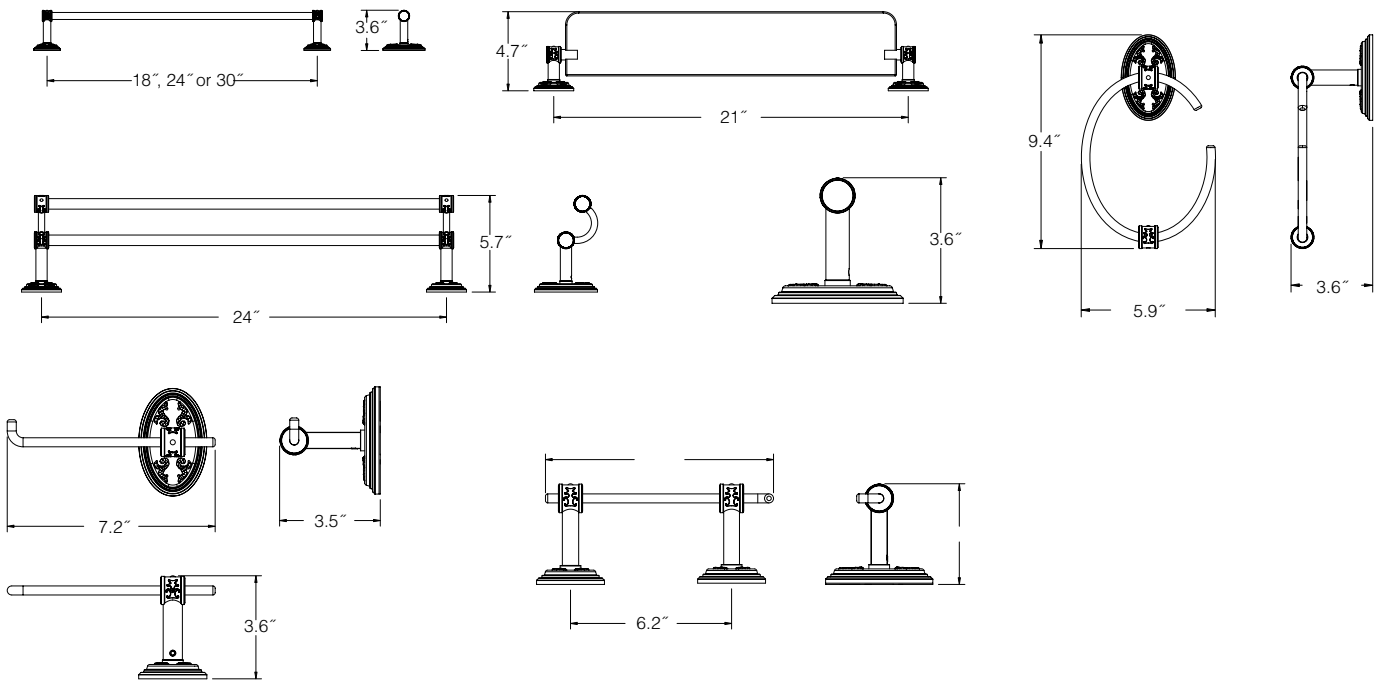
BALDWIN®

TOSCANA™



Item #	Function	Wt. Ea.	Std. Box	479, 481, 492
3341.xxx.18	18" Towel Bar	4.2	3	\$122
3341.xxx.24	24" Towel Bar	4.7	3	136
3341.xxx.30	30" Towel Bar	5.2	3	148
3342.xxx.24	24" Double Towel Bar	6.4	3	218
3343.xxx	Tissue Holder – Double Post	3.5	3	124
3343.xxx.SP	Tissue Holder – Single Post	2.7	3	112
3344.xxx	Towel Ring	2.5	3	112
3345.xxx	Robe Hook	1.9	3	66
3348.xxx	24" Glass Shelf	8.9	3	202

Mounting hardware and instructions included.



BRONZE GENERAL HARDWARE

BRONZE LOCK AND GENERAL HARDWARE FINISHES



469
Light Bronze



471
Dark Bronze



061x.xxx
5" House Numbers



0459.xxx
Flush Pull



0460.xxx
Edge Pull



2568.xxx
Utility Pull



2569.xxx
Utility Pull



2288.xxx
Push plate



0107.xxx - Door Knocker w/5" Bail



4048.xxx
3" Door Stop



4800.xxx
Bell Button Small Oval
1.5" x 3"



4802.xxx
Bell Button Large Oval
3.375" x 6"



4801.xxx
Bell Button Small Arch
1.5" x 3"



4803.xxx
Bell Button Large Arch
3" x 5.25"



1735.xxx
4" Hinge Pair



0784.xxx
Coat Hook



Surface Bolt
0316.xxx - 6"
0318.xxx - 12"
0319.xxx - 18"

BRONZE BATH

BRONZE BATH FINISHES



479 - Lacquered
Light Bronze



481 - Lacquered
Dark Bronze

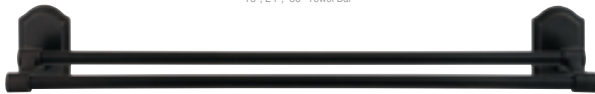


492 - Lacquered
White Bronze

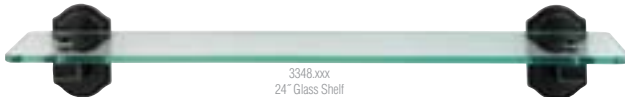
STONEBRIDGE™



3341.xxx,XX
18", 24", 30" Towel Bar



3342.xxx,24
24" Double Towel Bar



3346.xxx
24" Glass Shelf



3343.xxx
Tissue Roll Holder



3343.xxx,SP
Tissue Roll Holder

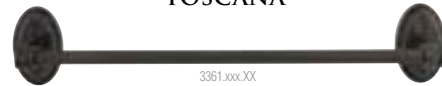


3345.xxx
Robe Hook

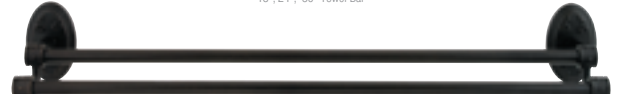


3344.xxx
Towel Ring

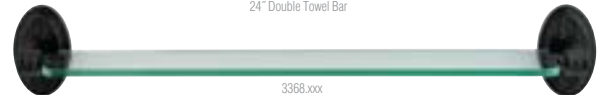
TOSCANA™



3361.xxx,XX
18", 24", 30" Towel Bar



3362.xxx,24
24" Double Towel Bar



3366.xxx
24" Glass Shelf



3363.xxx
Tissue Roll Holder



3363.xxx,SP
Tissue Roll Holder



3365.xxx
Robe Hook



3364.xxx
Towel Ring